

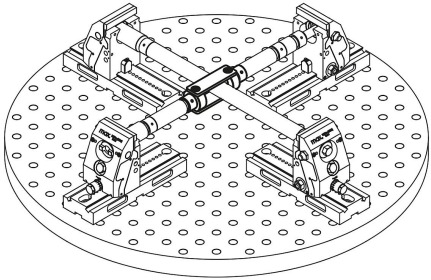
Item description/product images



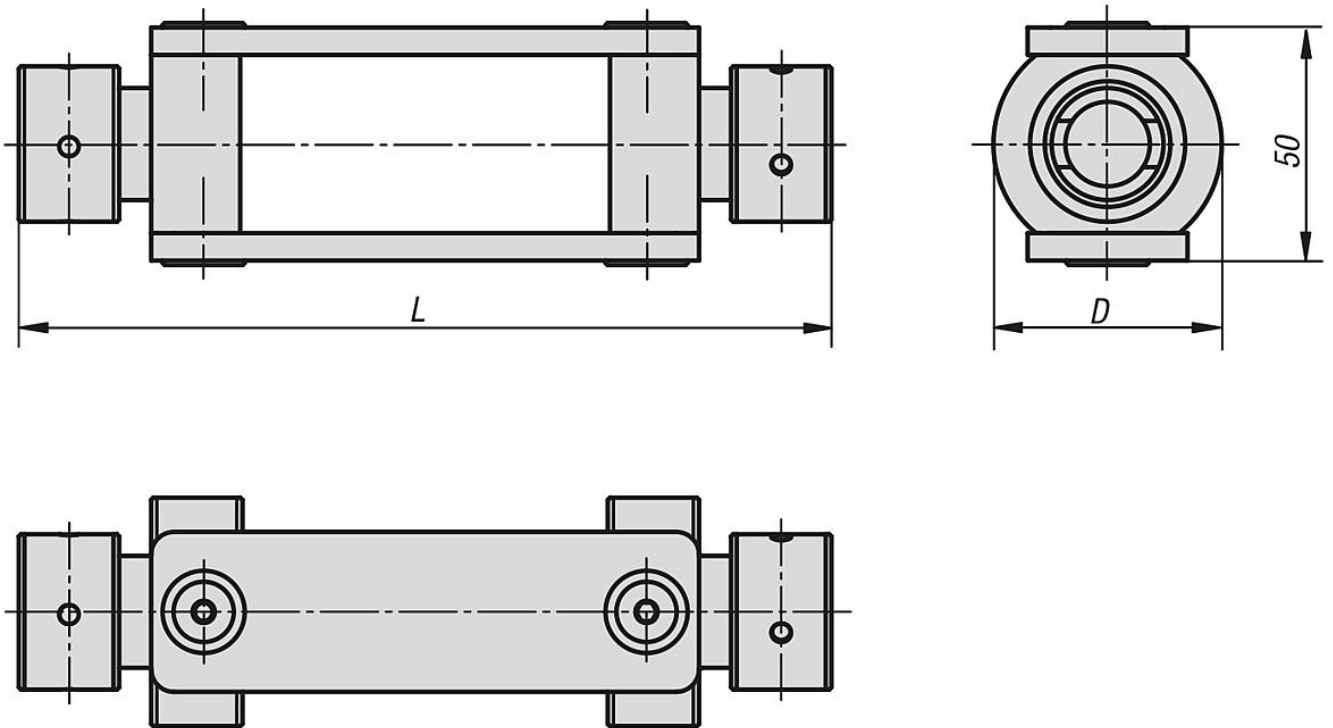
Description

Material:
Carbon steel.

Version:
Black oxidised.



Drawings



Overview of items

Couplings for cross-clamping

Order No.	D	L
41365-178	50	178

